



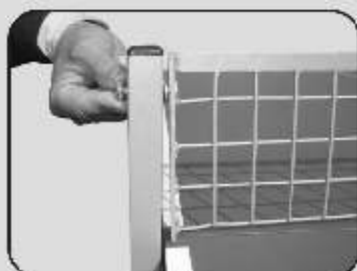
STEP - 4 Repeat step 3 for second half

STEP - 5

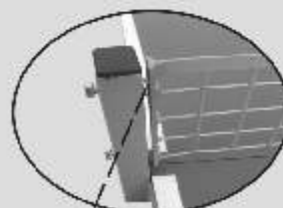


Bring both the complete halves together, attach post (P8) with table frame (P4) at both sides using nut & bolt size 38x6mm (P12) & tighten it with the help of two spanners (P22)

STEP - 6



Place the net (P9) into post (P8) using bolt size 38mm (P13) & tighten it with the help of two spanners (P22)



Washer (P20)
between (P8) & (P9)

STEP - 7



Insert the rod (P17) through legs-Z (P5) using a hammer. Repeat this on all four legs



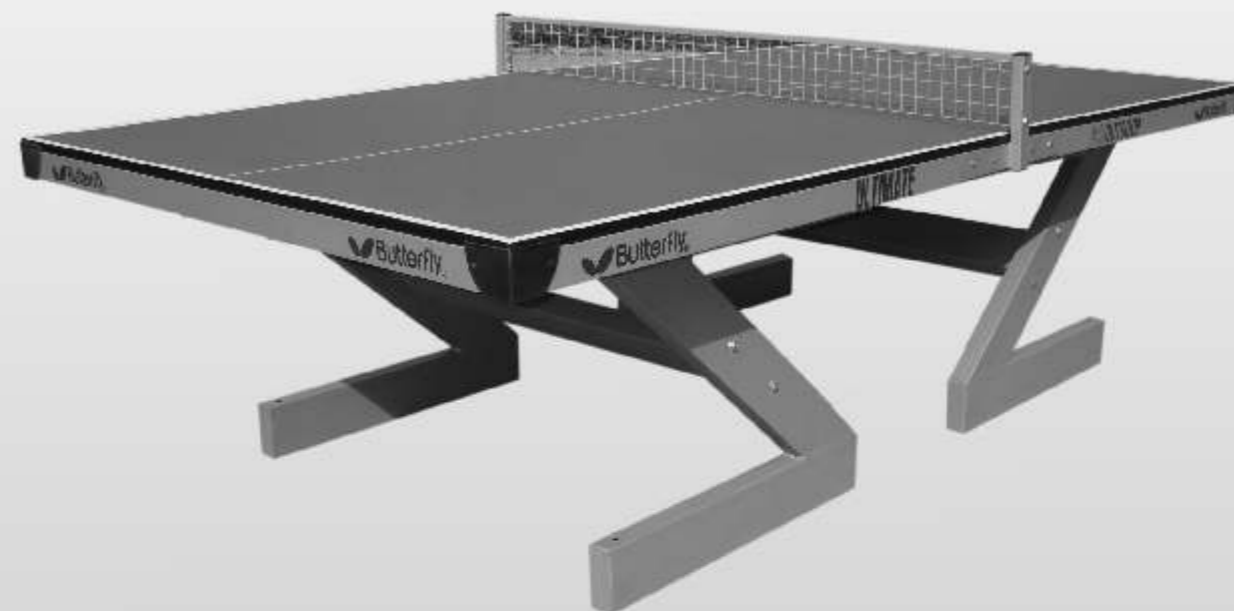
YOUR TABLE IS NOW READY FOR PLAY

SAFETY INSTRUCTIONS

Children below 14 years should not assemble the table.
This table is suitable for indoor and outdoor use.
Always cover the table when not in use

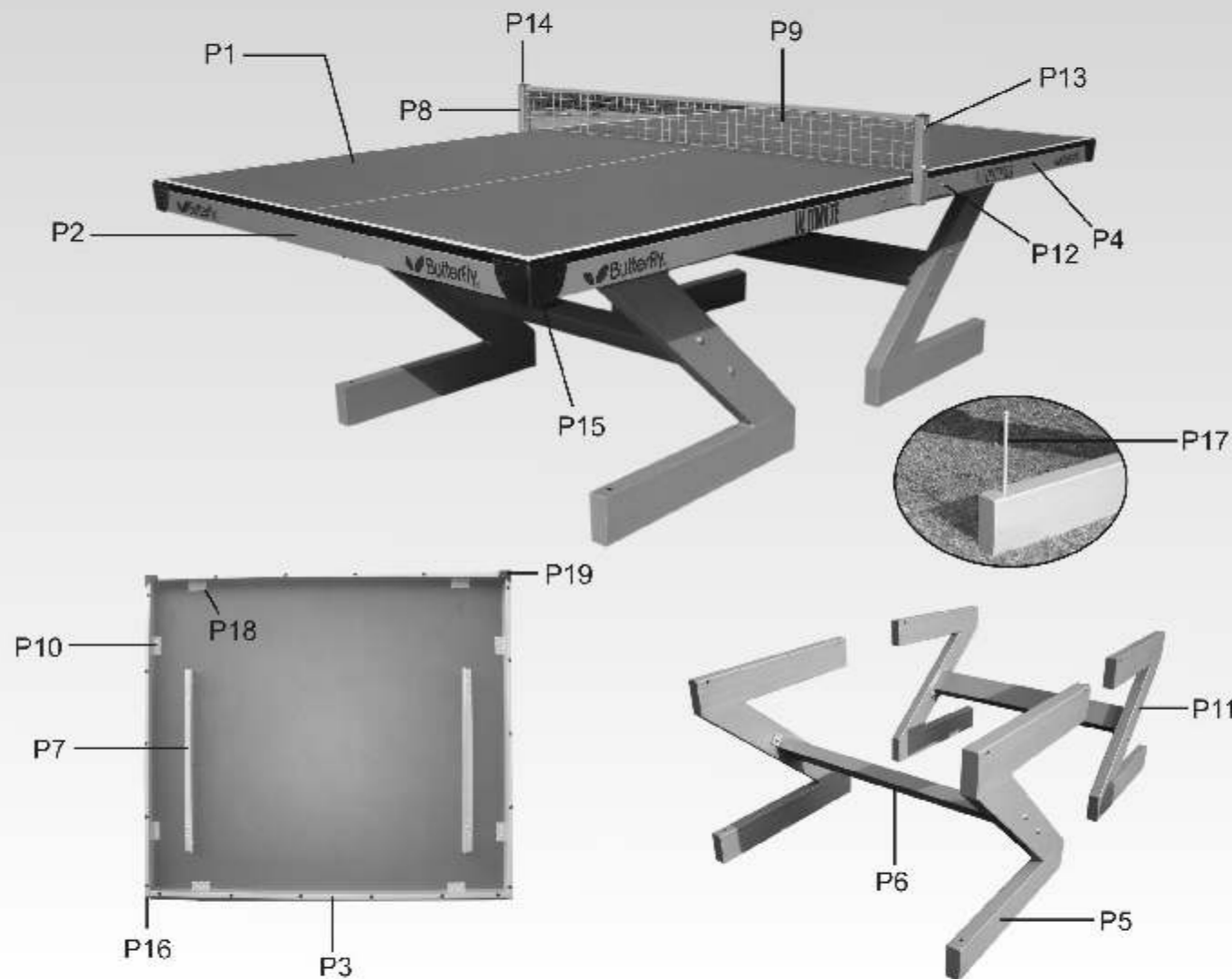


Table Tennis Table Ultimate Outdoor Assembly Instructions



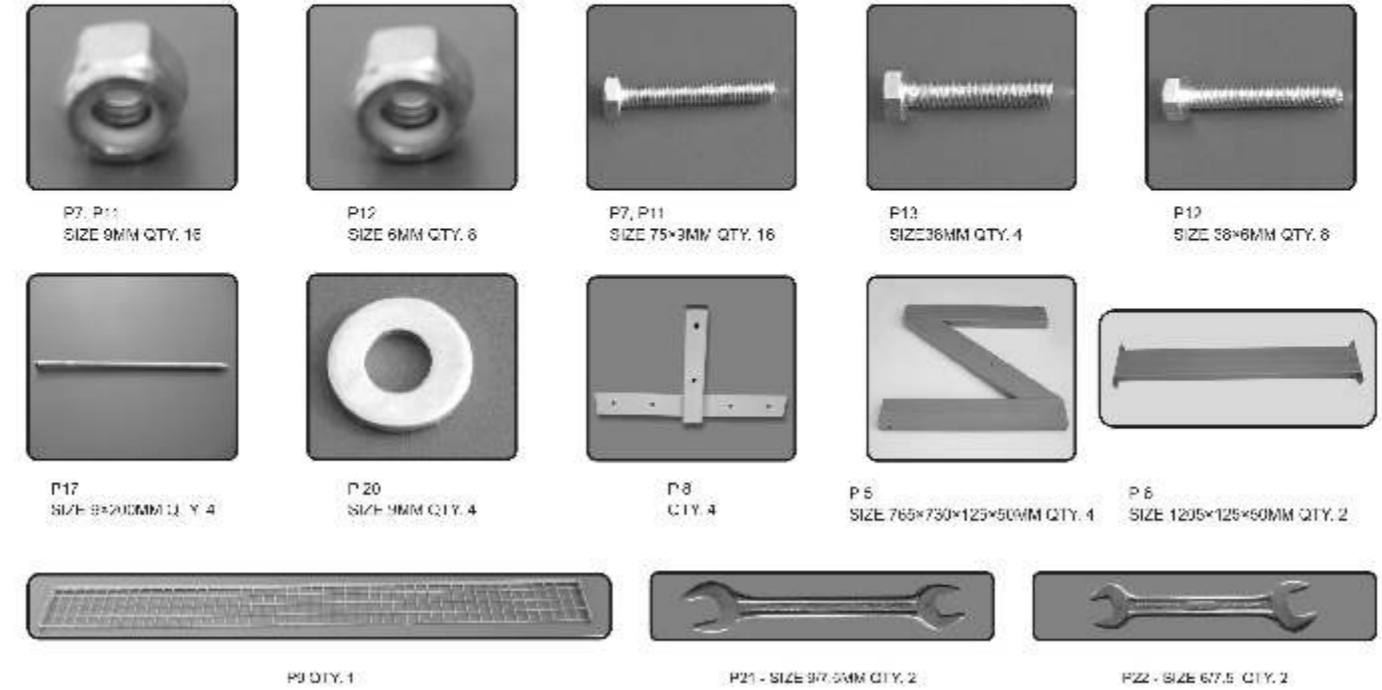


PARTS LIST



1. TABLE TOP SIZE 1525×1370×18MM- 2 NOS.
2. END FRAME PIPE SIZE 1525×60×20MM- 2 NOS.
3. INNER FRAME PIPE SIZE 1475×60×20MM - 2 NOS.
4. SIDE FRAME PIPE SIZE 1315×60×20MM- 4 NOS.
5. LEGS (Z) SIZE 765×730×125×50MM - 4 NOS.
6. CENTRE PIPE TO ATTACH LEGS SIZE 1205×125×50MM - 2 NOS.
7. ANGLE TO ATTACH TABLE FRAME WITH LEGS (Z) SIZE 75×9MM - 8 NOS.
8. POST SET - 1 NOS.
9. STEEL NET - 1 NOS.
10. BRACKET TO ATTACH FRAME WITH TABLE TOP SIZE 75×30×20MM - 16 NOS.
11. BOLT TO ATTACH LEGS (Z) WITH CENTRE PIPE SIZE 75×9MM - 8 NOS.

12. BOLT TO ATTACH SIDE FRAME WITH POST SIZE 38×6MM - 8 NOS.
13. BOLT TO ATTACH POST WITH NET SIZE 38MM- 4 NOS.
14. PLASTIC CAP FOR POST SIZE 25×38MM - 4 NOS.
15. OUTER CORNER SIZE 73MM - 4 NOS.
16. PLASTIC CAP FOR SIDE FRAME SIZE 60×20MM - 4 NOS.
17. ROD TO ATTACH LEGS WITH GROUND SIZE 9×200MM - 4 NOS.
18. SCREW SIZE 8×13MM - 228 NOS.
19. SCREW BLACK SIZE 6×13MM - 12 NOS.
20. WASHER SIZE 9MM - 4 NOS.
21. SPANNER SIZE 9×7.5MM - 2 NOS.
22. SPANNER SIZE 6×7.5MM - 2 NOS.



ADULT ASSEMBLY REQUIRED

Please read the safety instructions at the bottom of page- 4

STEP - 1



Attach centre pipe (P6) with legs (P5) using nut & bolt size 75×9mm & tighten it with help of to spanners (P21)

STEP - 2 Repeat step 1 for second half

STEP - 3



Attach table frame angle (P7) with legs (Z) (P5) using nut & bolt size 75×9mm & tighten it with the help of 2 spanners (P21)